

---

# CEILING CLIPS AND CEILING TRACK

## SOLUTION GUIDE

build better™  
**DIRTT**

# TABLE OF CONTENTS

**03** Overview



**04** Part References



**05** Ceiling Clip (HW698)



**06** Ceiling Clip (HW699)



**07** Ceiling Clip (HW700)



**08** Ceiling Clip (HW701)



**09** Prepare the Space



**10** Install the Ceiling Clips



**13** Install the Ceiling Track



**15** Install DIRTT Wall



**16** Tech Tip



# OVERVIEW

## Features

- Two Part Ceiling Clip assembly
- Secures around ceiling grid
- Ceiling Clips are fastened by two screws

DIRTT's Ceiling Clips allow for an improved attachment and easy installation. The Ceiling Clips arrive on-site in two parts; each part consists of one layer. The ceiling clip assembly envelops the ceiling grid and is secured in place with two screws: making this solution a strong unit. The Two Part Ceiling Clips can be used on walls up to 9'-0" (2.74m). Independent Bracing Clips may be required where ceiling grid systems are incapable of supporting the lateral design loads imposed by attaching non-bearing, floor-to-ceiling, interior partitions.

All three styles of ceiling clips install the same way, sitting on both sides of the tee, and use the same screws and nuts for fastening. The clips work well under tight ceilings with a strong hold around the ceiling tee and provide an offset stud that fits under tee intersections.

CEILING CLIP (94030)



CEILING CLIP (94031)



CEILING CLIP (94032)



# PART REFERENCES

## PART DESCRIPTION

### **HW698 Ceiling Track Hardware for $\frac{15}{16}$ Flat Tees with Flush Lay-in Ceiling Tile**

**94030** Ceiling Clip for  $\frac{15}{16}$  Flat Tee

**STOCK** # $\frac{1}{4}$  - 20 Hex Serrated Flange Lock Nut

**STOCK** #10-16 x  $\frac{1}{2}$ " Pan Head Tek Screw (PHTS)

**11095** Ceiling Track

### **HW699 Ceiling Track Hardware for $\frac{15}{16}$ Flat Tees with Tegular Ceiling Tile**

**94030** Ceiling Clip for  $\frac{15}{16}$  Flat Tee

**STOCK** # $\frac{1}{4}$  - 20 Hex Serrated Flange Lock Nut

**STOCK** #10-16 x  $\frac{1}{2}$ " PHTS

**11095** Ceiling Track

### **HW700 Ceiling Track Hardware for $\frac{9}{16}$ Tees and Tegular Ceiling Tiles**

**94031** Ceiling Clip for  $\frac{9}{16}$  Tee Tiles

**STOCK** # $\frac{1}{4}$  - 20 Hex Serrated Flange Lock Nut

**STOCK** #10-16 x  $\frac{1}{2}$ " PHTS

**11095** Ceiling Track

### **HW701 Ceiling Track Hardware for $\frac{15}{16}$ Concealed Tee with Tegular Ceiling Tiles**

**94032** Ceiling Clip for  $\frac{15}{16}$  Concealed Tee Tiles

**STOCK** # $\frac{1}{4}$  - 20 Hex Serrated Flange Lock Nut

**STOCK** #10-16 x  $\frac{1}{2}$ " PHTS

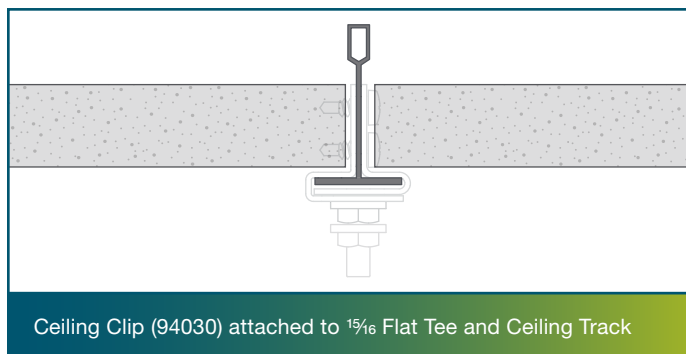
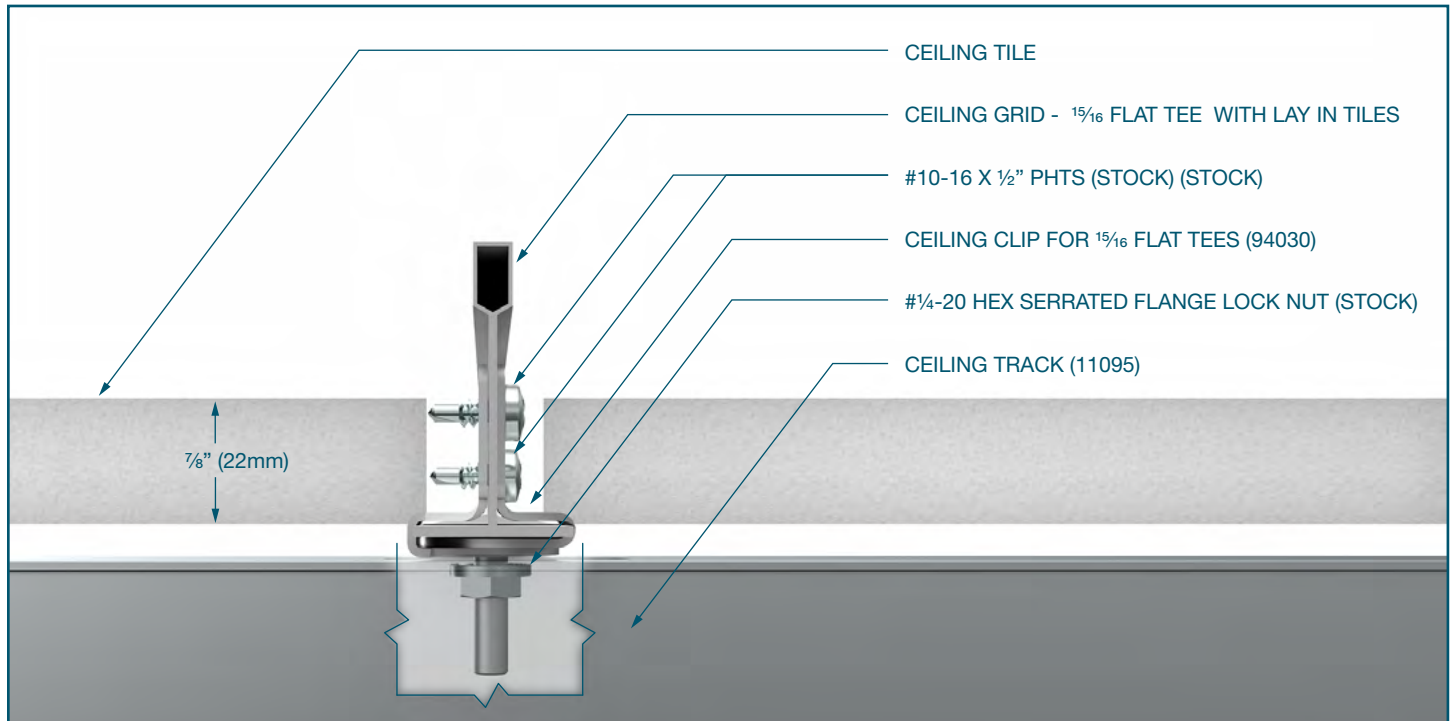
**11095** Ceiling Track

# CEILING CLIP (HW698)

## Ceiling Track Hardware for $\frac{15}{16}$ Flat Tee with Flush Lay-in Ceiling Tile

The ceiling track hardware for flat tees with flush lay-in ceiling tile is based on the length of a 20'-0" (6.10m) ceiling track.

PART	DESCRIPTION	QTY	DETAILS
<b>94030</b>	Ceiling Clip for $\frac{15}{16}$ Flat Tee	QTY 6	Part #22817 and #22818
<b>STOCK</b>	# $\frac{1}{4}$ - 20 Hex Serrated Flange Lock Nut	QTY 6	
<b>STOCK</b>	#10-16 x $\frac{1}{2}$ " PHTS	QTY 12	
<b>11095</b>	Ceiling Track	QTY 2	

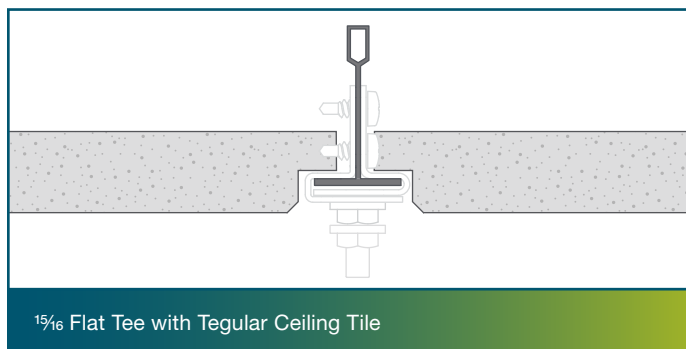
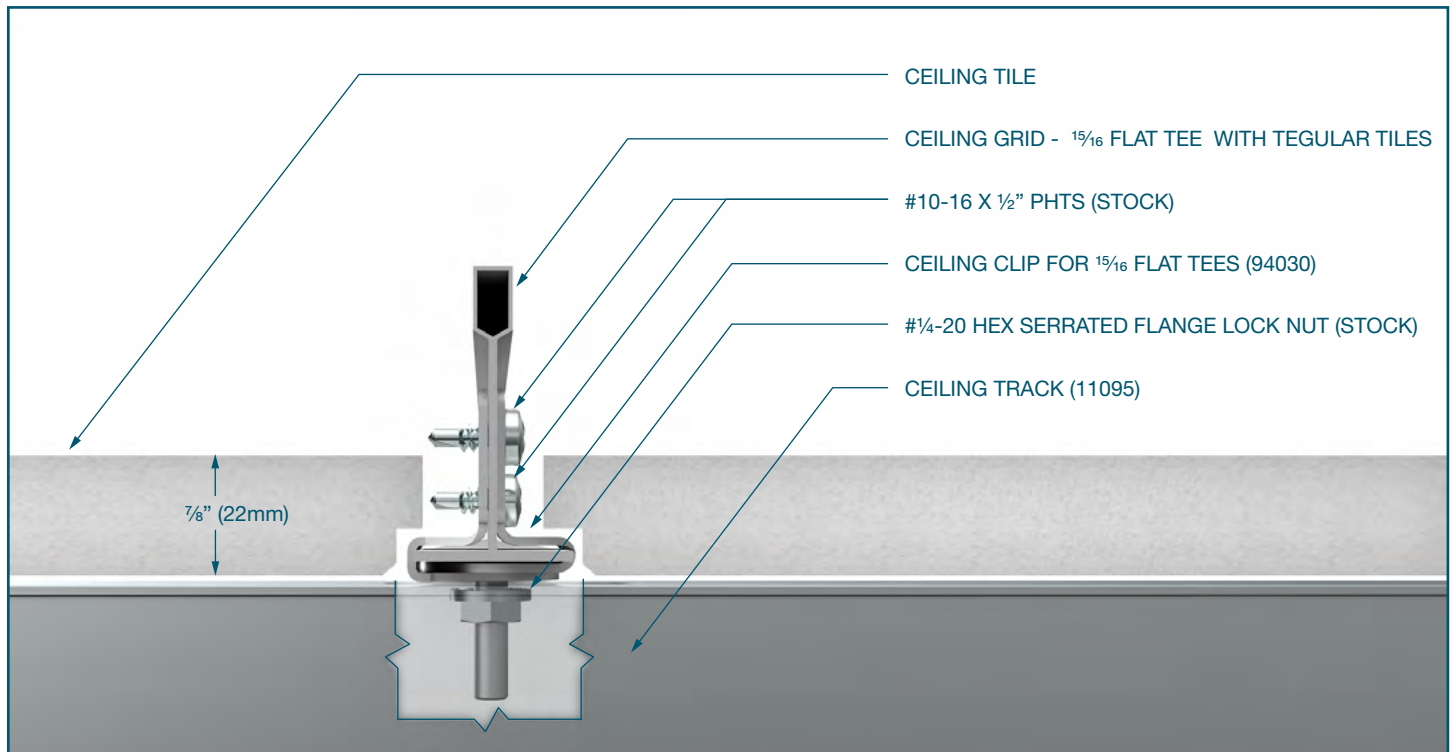


# CEILING CLIP (HW699)

## Ceiling Track Hardware for 1<sup>5</sup>/<sub>16</sub> Flat Tee with Tegular Ceiling Tile

The ceiling track hardware for flat tees with tegular ceiling tile is based on the length of a 20'-0" (6.10m) ceiling track.

PART	DESCRIPTION	QTY	DETAILS
<b>94030</b>	Ceiling Clip for 1 <sup>5</sup> / <sub>16</sub> Flat Tee	QTY 6	Part #22817 and #22818
<b>STOCK</b>	#1/4 - 20 Hex Serrated Flange Lock Nut	QTY 6	
<b>STOCK</b>	#10-16 x 1/2" PHTS	QTY 12	
<b>11095</b>	Ceiling Track	QTY 2	

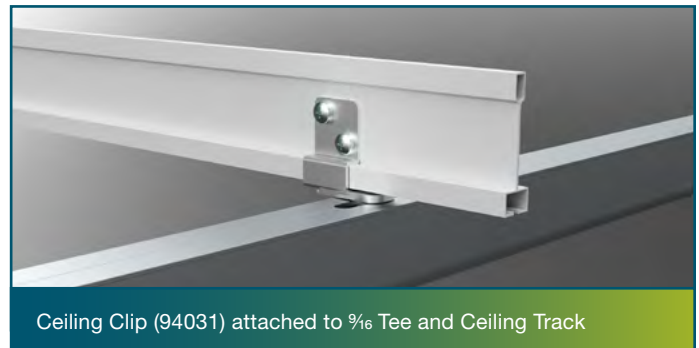
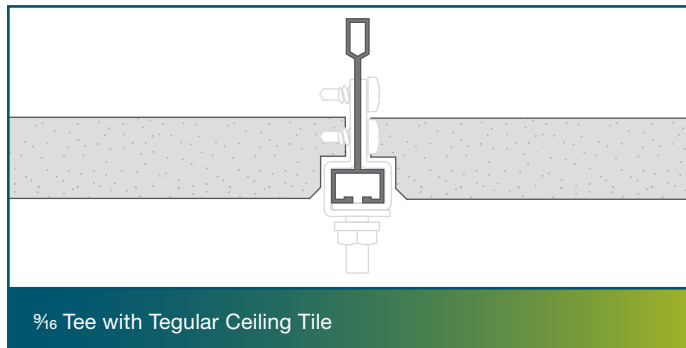
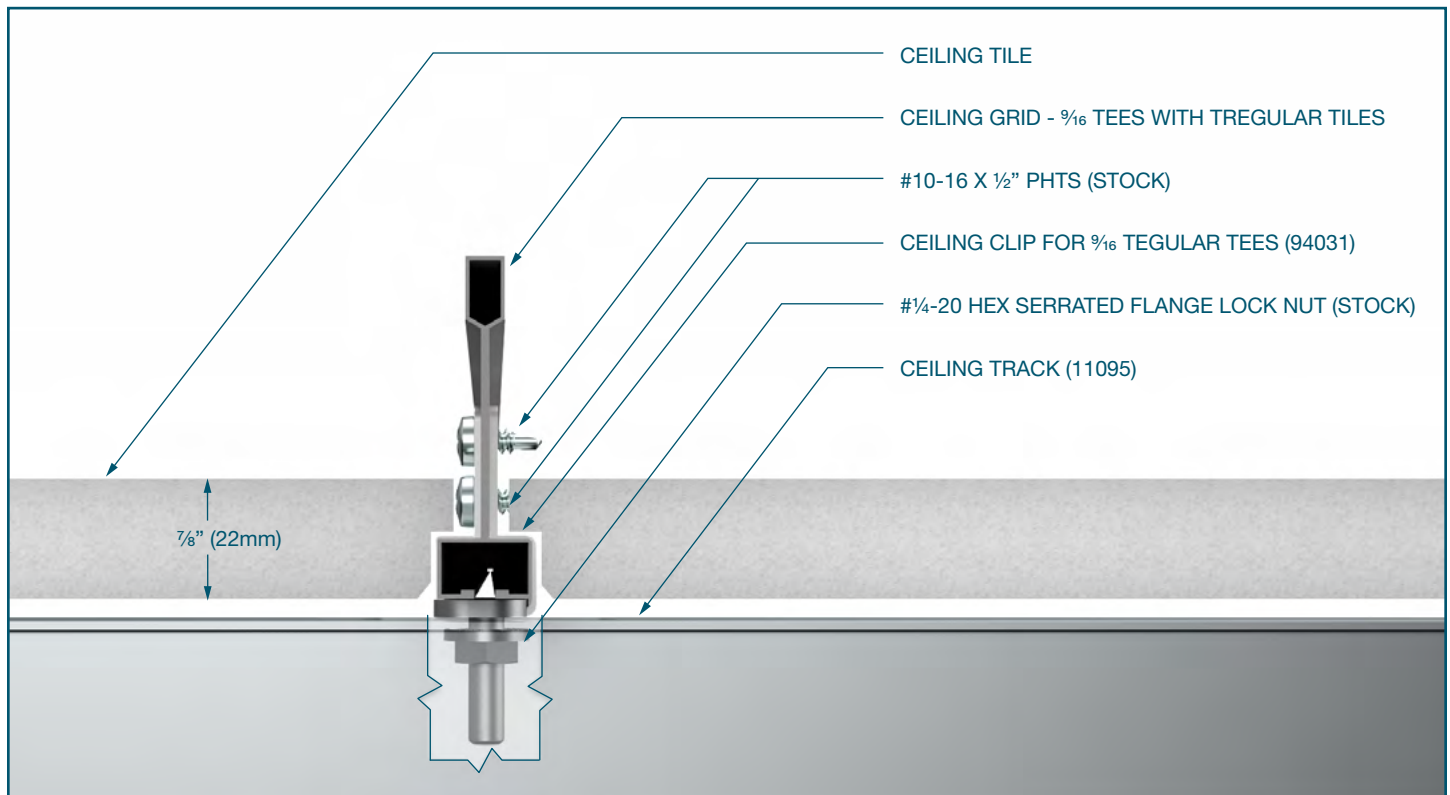


# CEILING CLIP (HW700)

## Ceiling Track Hardware for 9/16 Tee with Tegular Ceiling Tile

The ceiling track hardware for flat tees with tegular ceiling tile is based on the length of a 20'-0" (6.10m) ceiling track.

PART	DESCRIPTION	QTY	DETAILS
94031	Ceiling Clip for 9/16 Flat Tee	QTY 6	Part #26943 and #26944
STOCK	#1/4 - 20 Hex Serrated Flange Lock Nut	QTY 6	
STOCK	#10-16 x 1/2" PHTS	QTY 12	
11095	Ceiling Track	QTY 2	

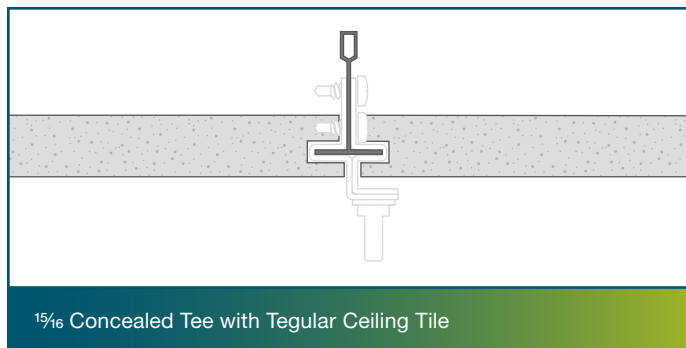
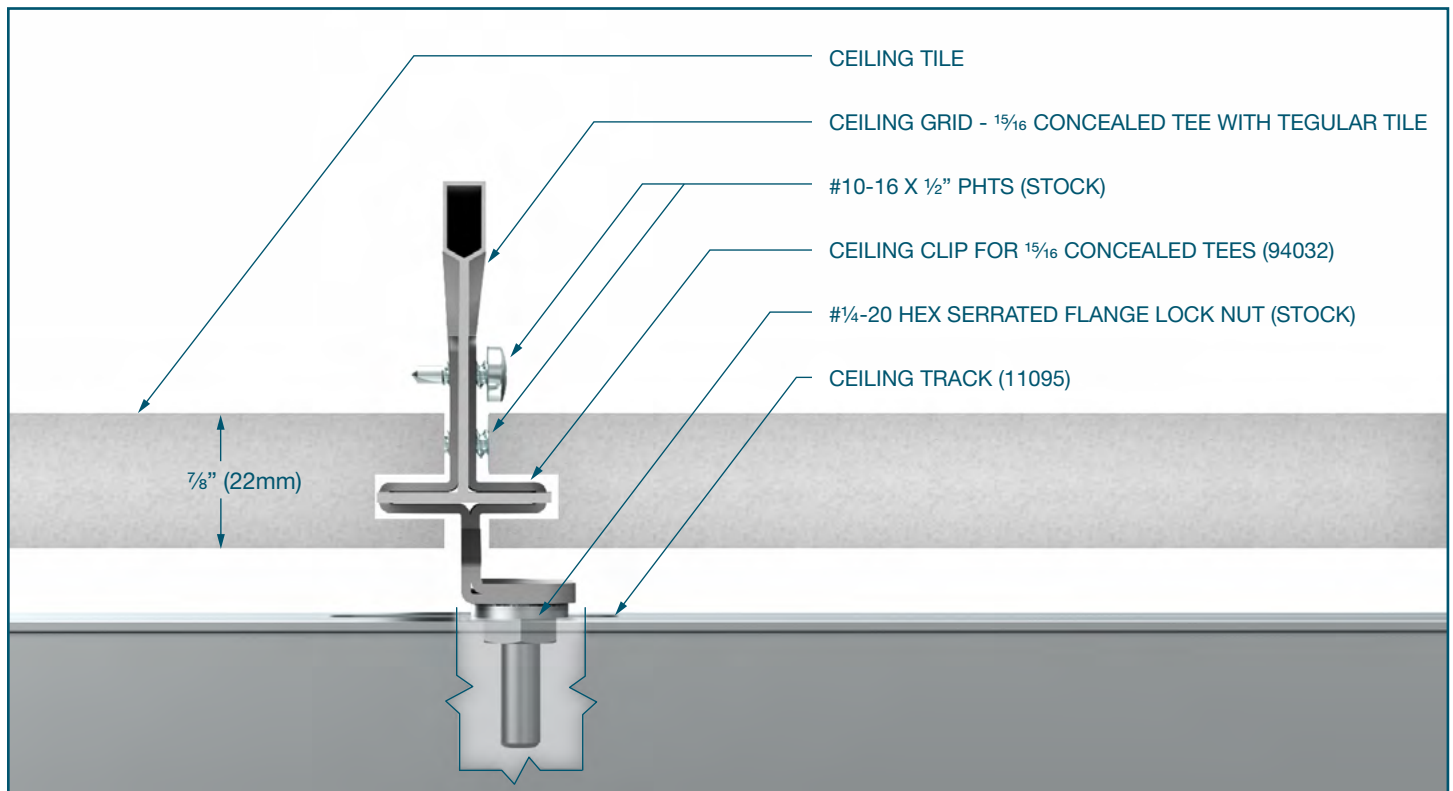


# CEILING CLIP (HW701)

## Ceiling Track Hardware for $\frac{15}{16}$ Concealed Tee with Tegular Ceiling Tile

The ceiling track hardware for flat tees with tegular ceiling tile is based on the length of a 20'-0" (6.10m) ceiling track.

PART	DESCRIPTION	QTY	DETAILS
94032	Ceiling Clip for $\frac{15}{16}$ Concealed Tee	QTY 6	Part #26943 and #26944
STOCK	# $\frac{1}{4}$ - 20 Hex Serrated Flange Lock Nut	QTY 6	
STOCK	#10-16 x $\frac{1}{2}$ " PHTS	QTY 12	
11095	Ceiling Track	QTY 2	





# PREPARE THE SPACE

## Floor and Ceiling Preparation for Installation

### List of Materials

- Laser leveler
- Blue tape
- Chalk line
- Ladder
- Black permanent marker

**01** Review the layout of where the walls will reside.

**02** Set up a 2-point laser that will reveal a line on the floor and a direct line above on the ceiling grid. This is to ensure each line is directly above and below one another to ensure the walls are plumb.

**03** Place a strip of tape along the line of the laser on the floor (see Figure 1).

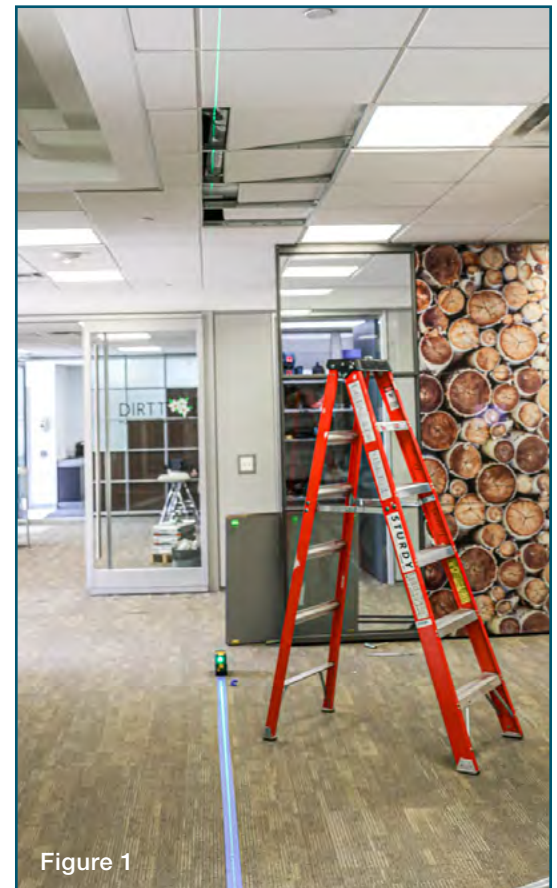
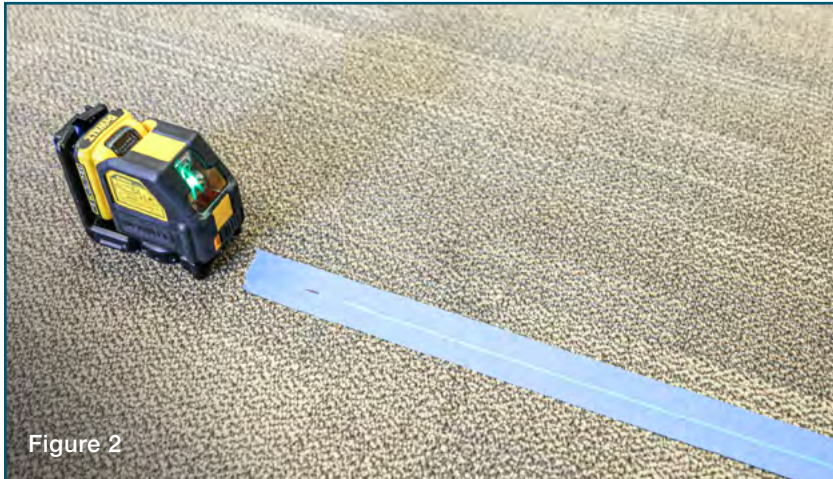


Figure 1

**04** Use a permanent black marker to indicate the location of the laser so that if the laser is bumped during the set-up, it can be easily and accurately repositioned (see Figure 2).

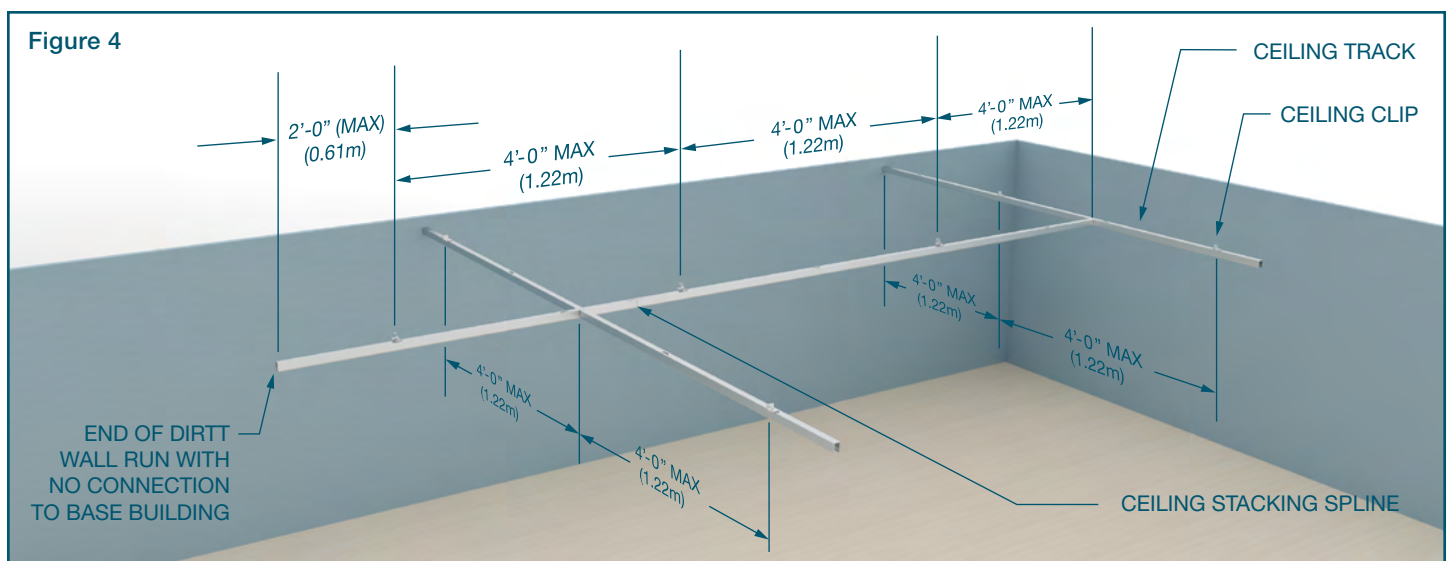
**05** Create a reference mark by snapping chalk line directly along the line of the laser on the blue tape (see Figure 3).



## INSTALL THE CEILING CLIPS

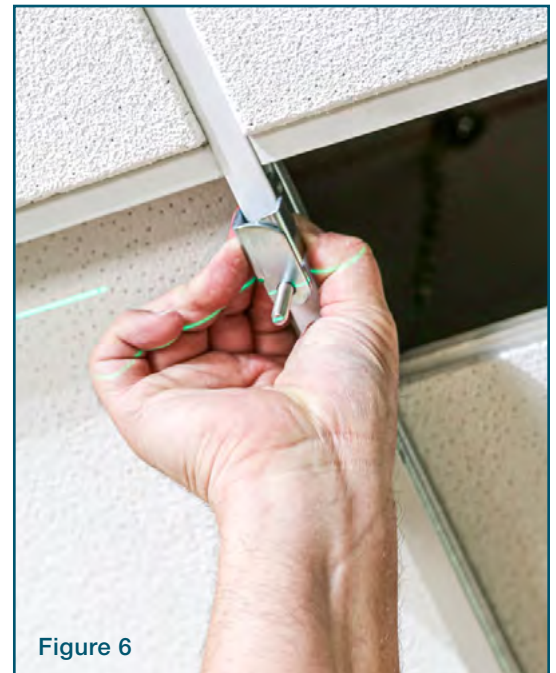
All installation questions should be directed to your DIRTT project manager (PM) or a DIRTT field technician. Send email inquiries to [info@dirtt.net](mailto:info@dirtt.net).

A ceiling track support is defined as a ceiling clip, a return wall or ceiling track spline plate. Each piece of ceiling track requires a minimum of two supports. The maximum spacing for supports on a continuous run of ceiling track, or track that is connected with a ceiling spline, is 4'-0" (1.22m) on center (OC). Unsupported ceiling tracks at the end of a ceiling track run have a maximum spacing of 2'-0" (see Figure 4).



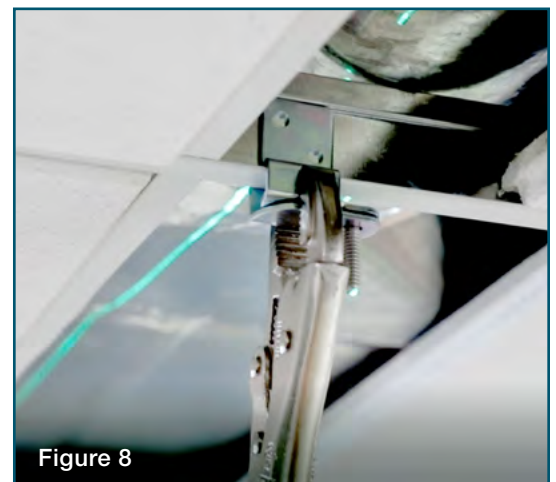
**01** Use a ladder to reach the ceiling tiles. Along the laser line, lift and move the ceiling tiles out of the way to expose the tee bar grid system (see Figure 5).

**02** Open up the clip and place the clip on either side of the tee bar (see Figure 6).  
**NOTE:** The first ceiling clip starts from the beginning of closest tee grid where the ceiling track will reside and is placed either at 2'-5" (0.76m) or 4'-0" (1.22m) from the beginning and continues every 4'-0" (1.22m) to the end of the ceiling track run.



**03** Line up the stud on the clip perfectly centered with the laser (see Figure 7).

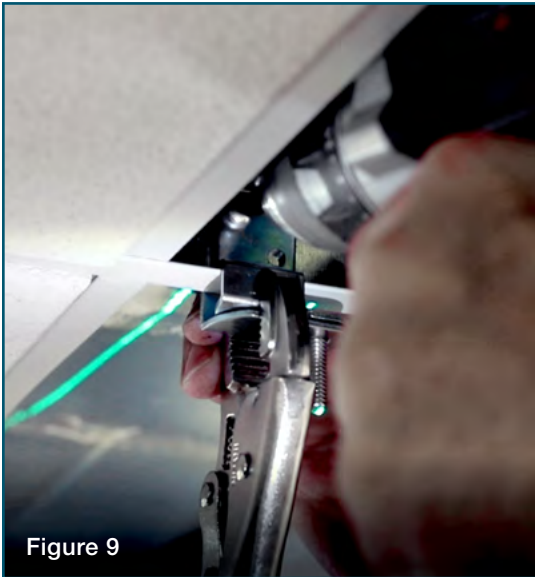
**04** Use a vice grip to hold the clip in place (see Figure 8).



**05** Use a drill to fasten #10-16 x ½" PHTS - QTY 1 to the top hole and through the tee bar, to secure the clip in place (see Figure 9).

**06** Release and remove the vice grip.

**07** Attach an additional screw #10-16 x ½" PHTS - QTY 1 through the second hole (see Figure 10).



# INSTALL THE CEILING TRACK

**01** Ceiling track is shipped in 10'-0" (3.05m) lengths and has punched-out areas every 2'-5" (0.76m) (see Figure 11).

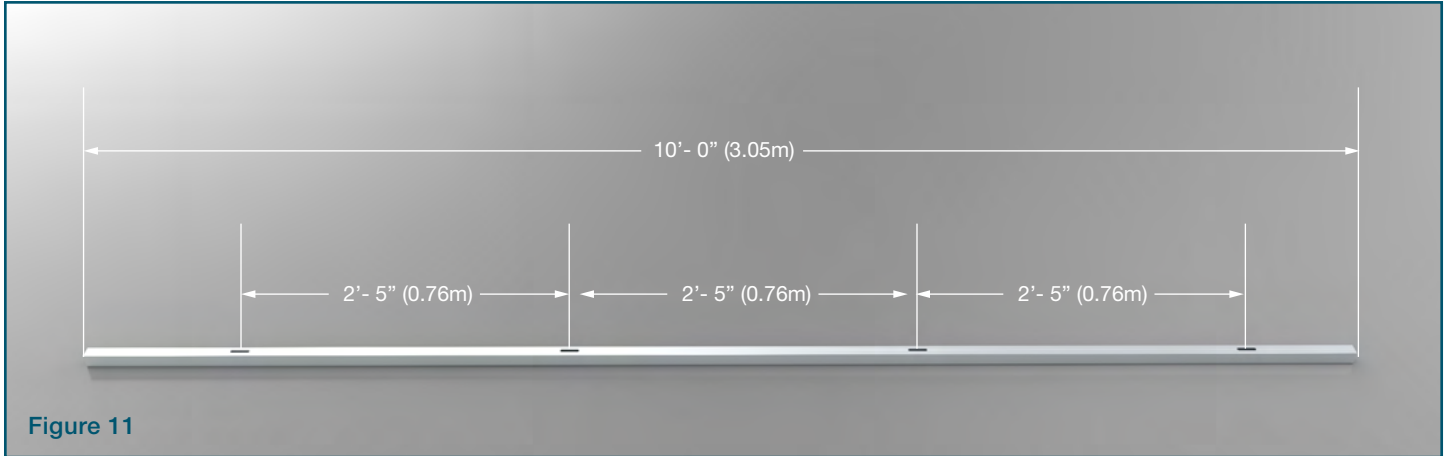


Figure 11

**02** Review the install drawings to obtain the length of each ceiling track. Cut the ceiling track to the appropriate length. Place the ceiling track up to the ceiling grid and insert the ceiling clips stud inside the punched-out areas in the ceiling track (see Figures 12 and 13).



Figure 12

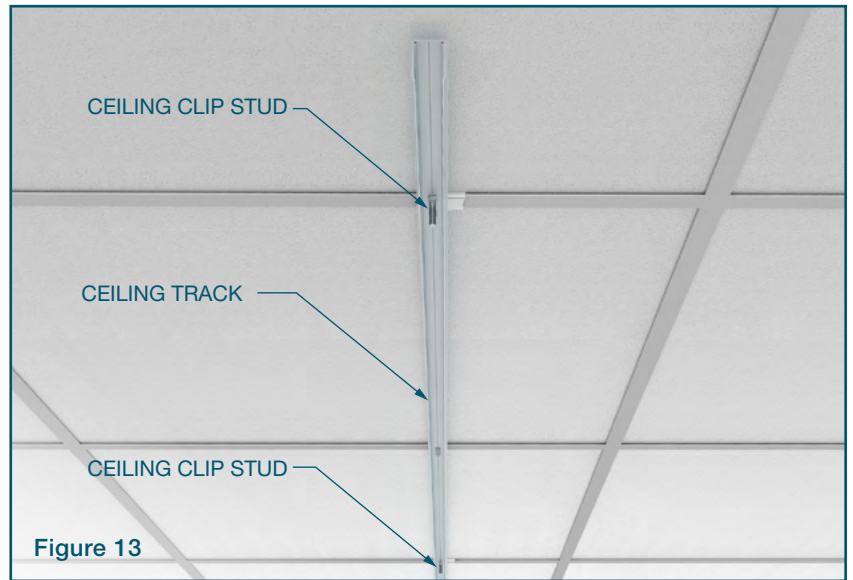


Figure 13

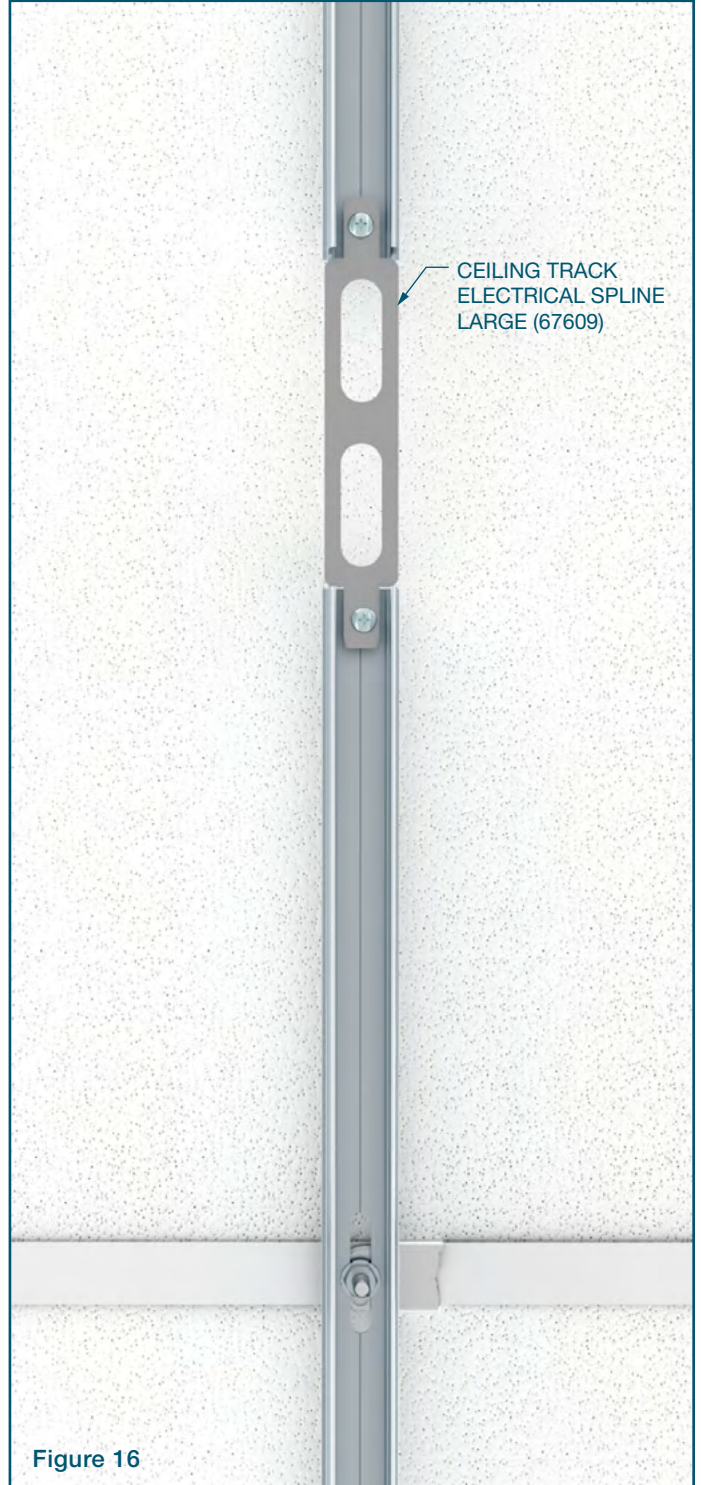
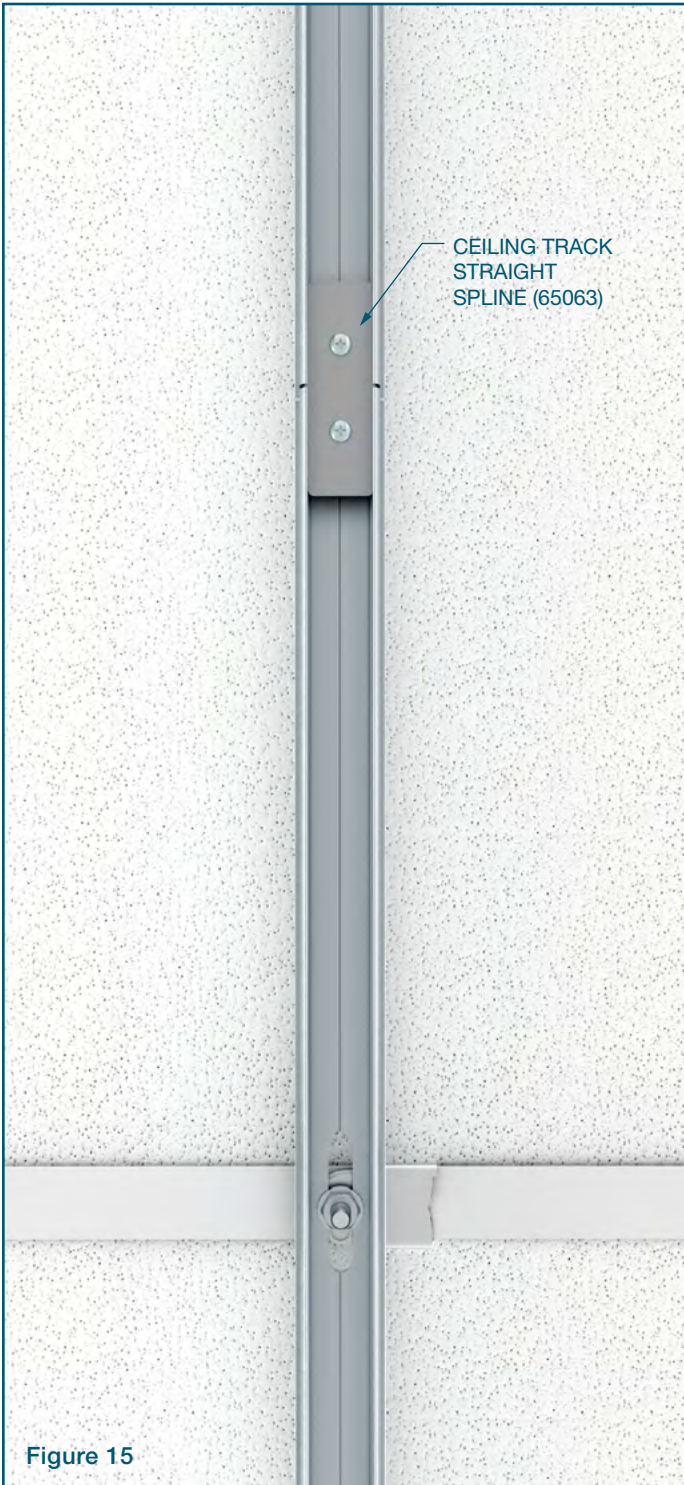
**03** Fasten the track to the ceiling clip with a #1/4-20 Hex Serrated Flange Lock Nut - QTY 1 (see Figure 14).



Figure 14

**04** If ceiling tracks require an extension use a Ceiling Track Straight Spline (65063) (see Figure 15).

**05** If power or network cables require to be fed from ceiling, through the ceiling track and into the walls, use a Ceiling Track Electrical Spline Small (66510) or Ceiling Track Electrical Spline Large (67609) (see Figure 16).



# INSTALL DIRTT WALL

**01** The top header of the frame has a notched out area for the track to fit into. Insert the ceiling track into the frame header (see Figure 17).



Figure 17

**02** Shift the bottom of the frame to be plumb with the top of the frame. If the frame does not fit, adjust the levelers to slide the frame into position (see Figure 18 and 19).

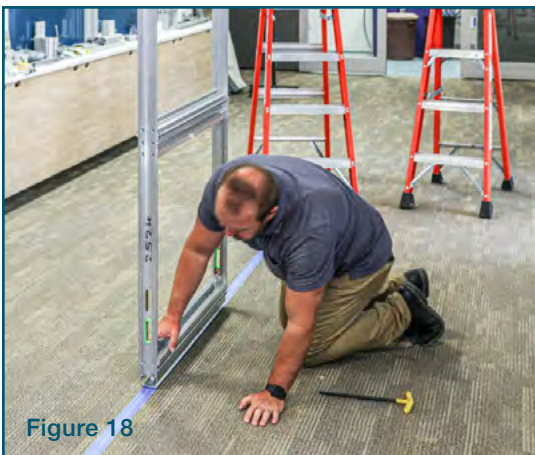


Figure 18

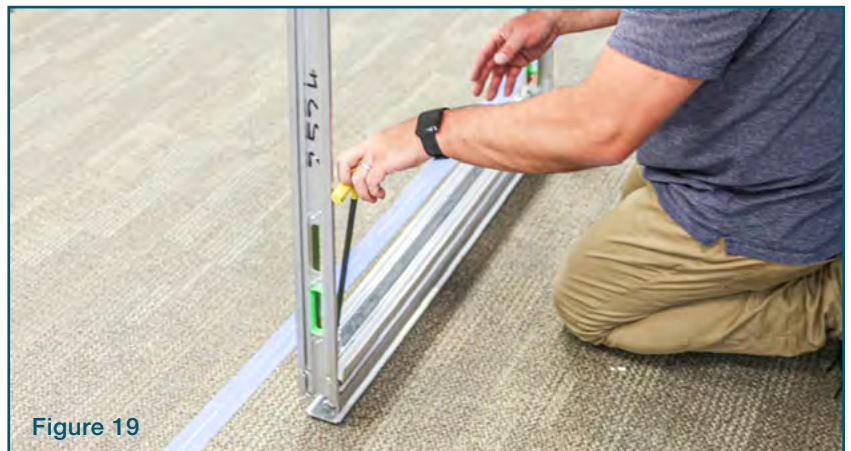


Figure 19

03

The base track has a notched-out area on the end. Align the notch to the line on the tape (see Figure 20).



Figure 20

## TECH TIP

If there is mild shifting or rattling occurring between the ceiling track and the frame try sliding a piece of ceiling trim in-between the track and upper horizontal tile & furniture mount.



Grab a strip of Ceiling Trim (17451).



Snip a small piece off from the end of the ceiling trim.



Slide the piece of ceiling trim inbetween the ceiling track and the upper horizontal tile & furniture mount.